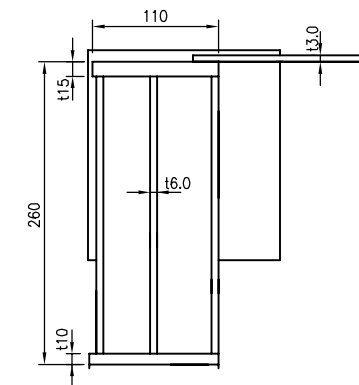
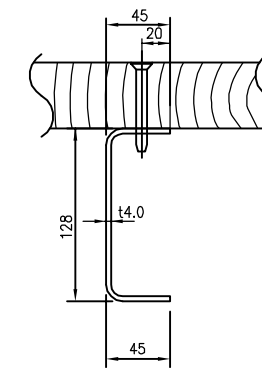
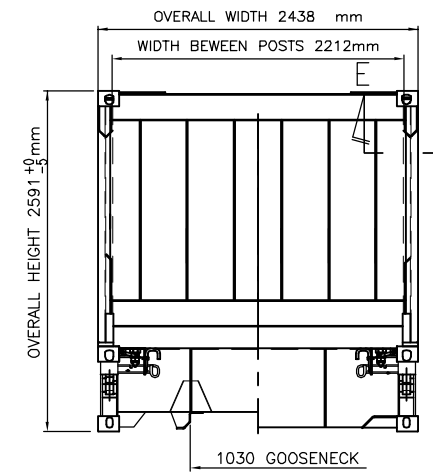
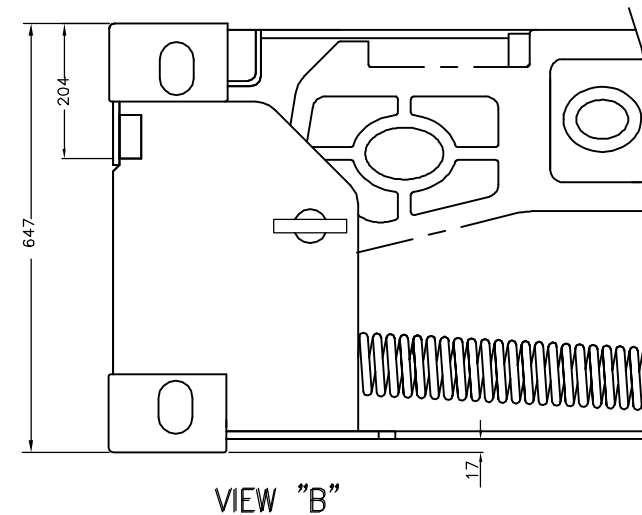


SECTION A-A



SECTION E-E



VIEW "B"

CLASSIFICATION		DIMENSION		
EXTERNAL	LENGTH	12192 ± 10	40'	$\pm 3/8$ "
	WIDTH	2438 ± 5	8'	$\pm 3/16$ "
	HEIGHT	2591 ± 5	8' - 6"	$\pm 3/16$ "
FOLDED HEIGHT		647 ± 1.5	2' - 1 1/2"	$\pm 3/64$ "
INTERNAL	LENGTH (BETWEEN END POSTS)	11652 ± 10	38' - 2 47/64"	$\pm 3/8$ "
	WIDTH (OVER BOTTOM SIDE RAIL)	2374 ± 5	7' - 9 29/64"	$\pm 3/16$ "
	HEIGHT (SIDE RAIL ADJACENT TO POST TO TOP CASTING)	1959 ± 5	6' - 5 1/8"	$\pm 3/16$ "
MAX. GROSS WEIGHT		50 000 KGS	110 230 LBS	
TARE WEIGHT ($\pm 2\%$)		4 900 KGS	10 800 LBS	
MAX. PAYLOAD		45 100 KGS	99 430 LBS	
STACKING TEST LOAD (7 HIGH)		86400 KGS	190480 LBS	
RACKING	TRANSVERSE	15240 KGS	33600 LBS	
	LONGITUDINAL	5080 KGS	11200 LBS	

MARK	REV. DATE	SIGN	DETAIL OF REVISION
TITLE			
GENERAL ARRANGEMENT			
APP'ED	DATE	2012.01.17	CUST. NAME: GDHD FLAT RACK 40'
VERIF'D	SCALE	1/50,	SPEC NO.
DESIG'D	MODEL	HP - 1AA - FL50	
DRAWN	DRWG. NO.	HP - 1AA - FL50 - 00	

GDHD GUANGDONG HYUNDAI CONTAINER CO.,LTD

THIS DRAWING IS THE PROPERTY OF GUANGDONG HYUNDAI CONTAINER CO., LTD. IT SHALL NOT BE COPIED OR DUPLICATED OR SUBMITTED TO OUTSIDE PARTIES WITHOUT OUR WRITTEN CONSENT.